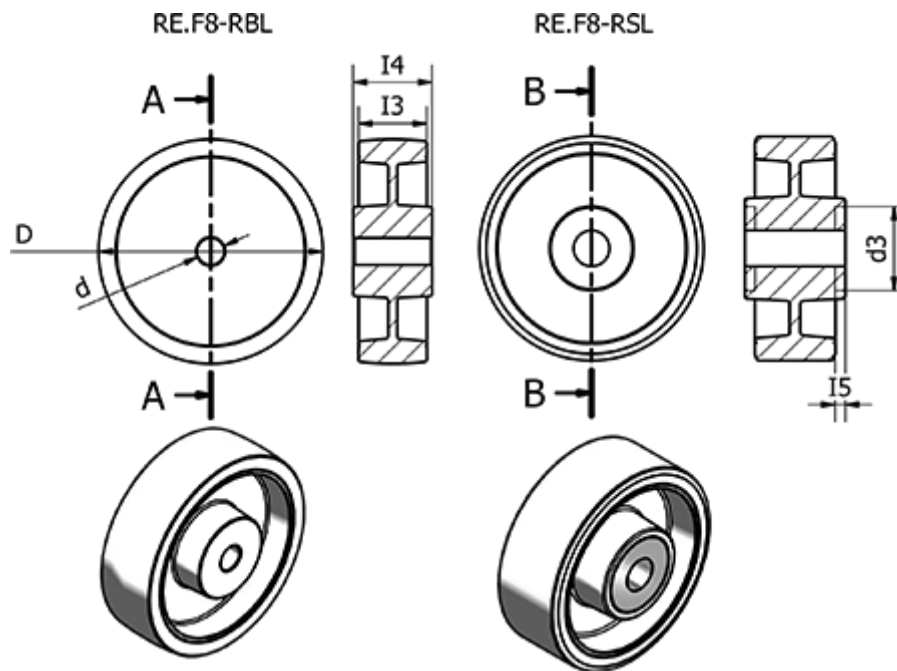


Article number: 2314450526

Description: E+G polyamide wheel
RE.F8-200-RBL - loose wheel in polyamid

Measures



	= -	Rolling resistance (N) = 4000
Code	= 450526	Static load = 10000
d	= 200	Type = RE.F8-200-RBL
d3	=	Wight (g) = 500
Dynamic carrying capacity (N)	= 9000	
I3	= 50	
I4	= 58	
I5	=	